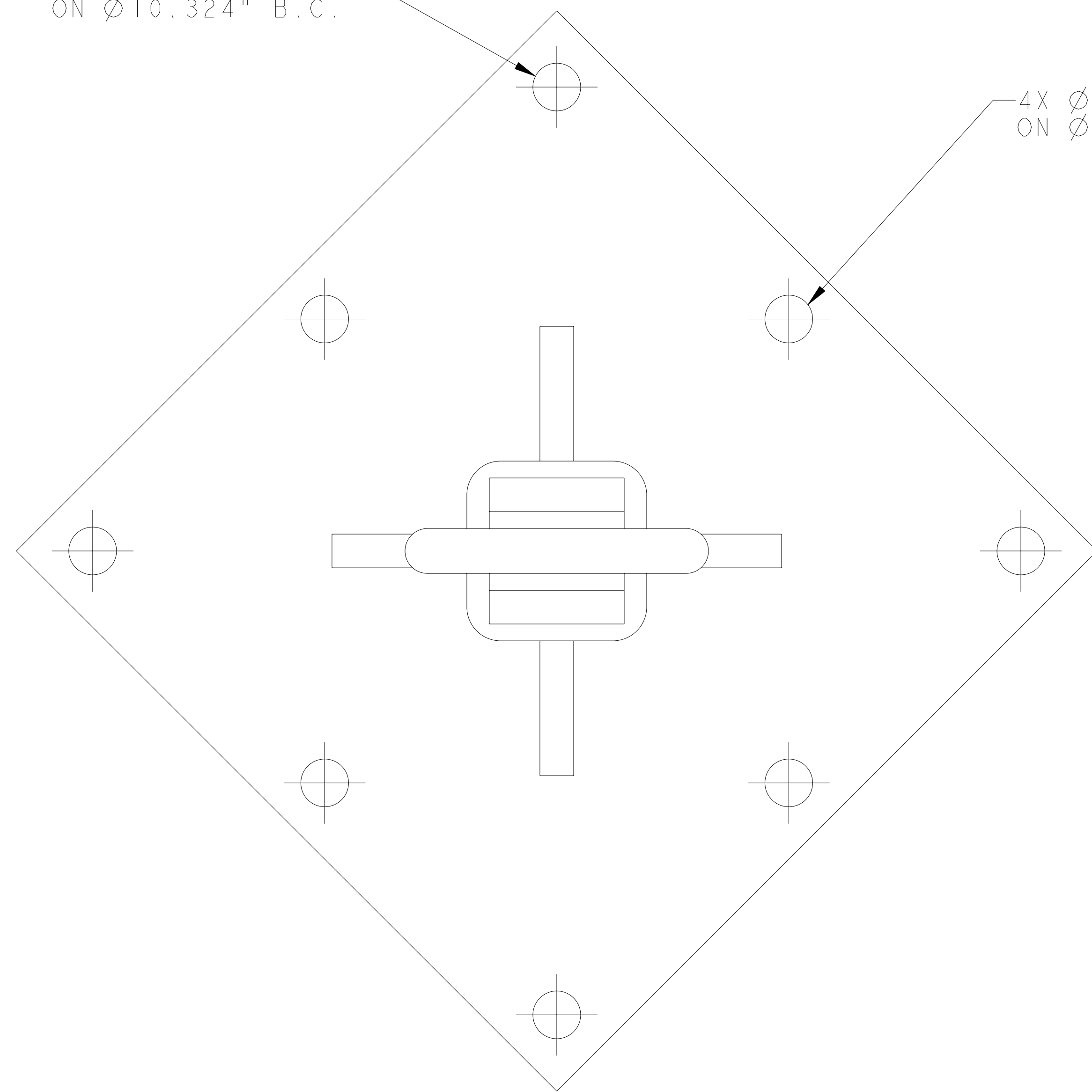


8-1/2" SQ. PLATE, 3/8" THK STEEL

4X Ø.531 THRU EQ SPC'D  
ON Ø10.324" B.C.

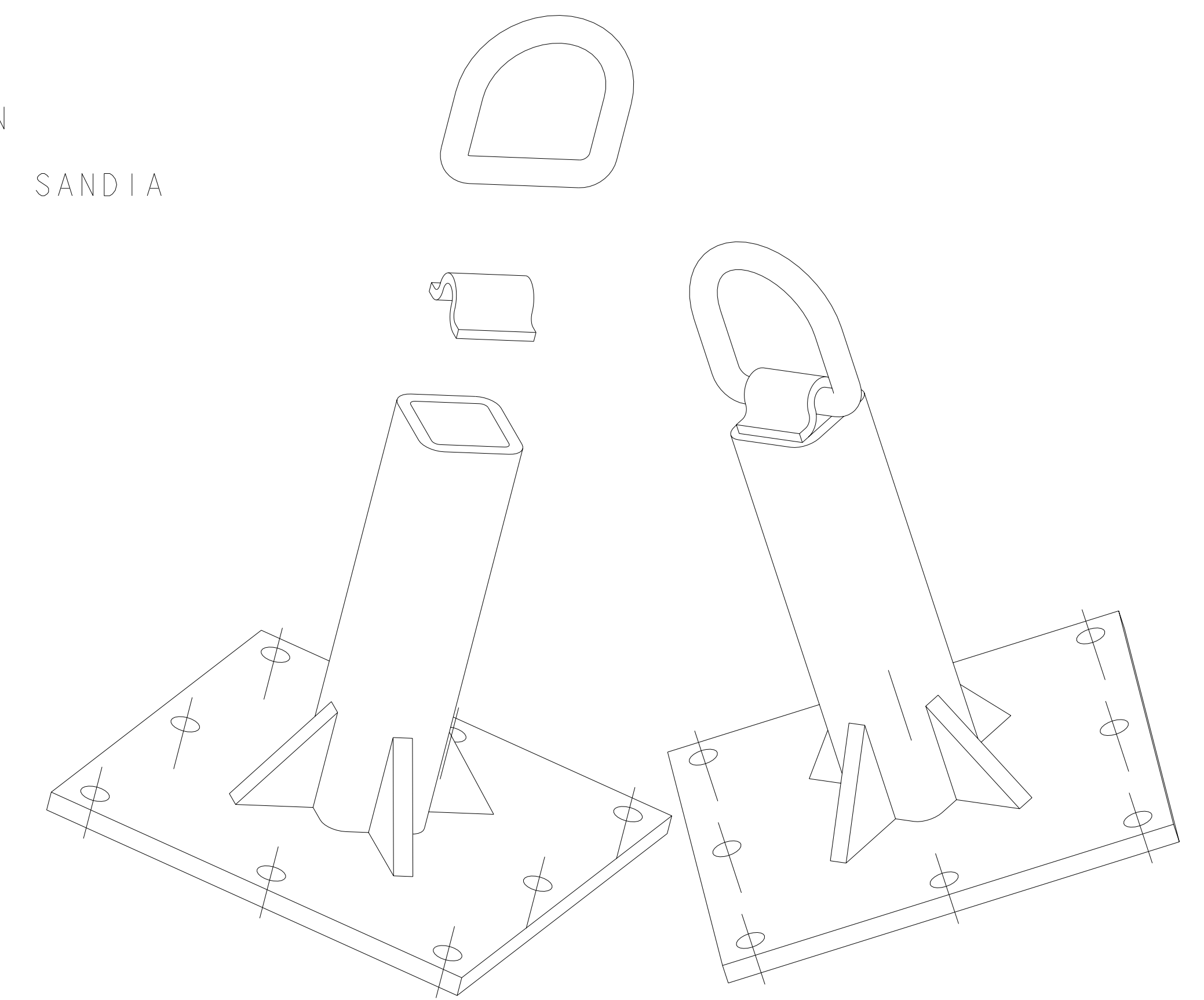
4X Ø.531 THRU EQ SPC'D  
ON Ø7.30" B.C.



NOTES:

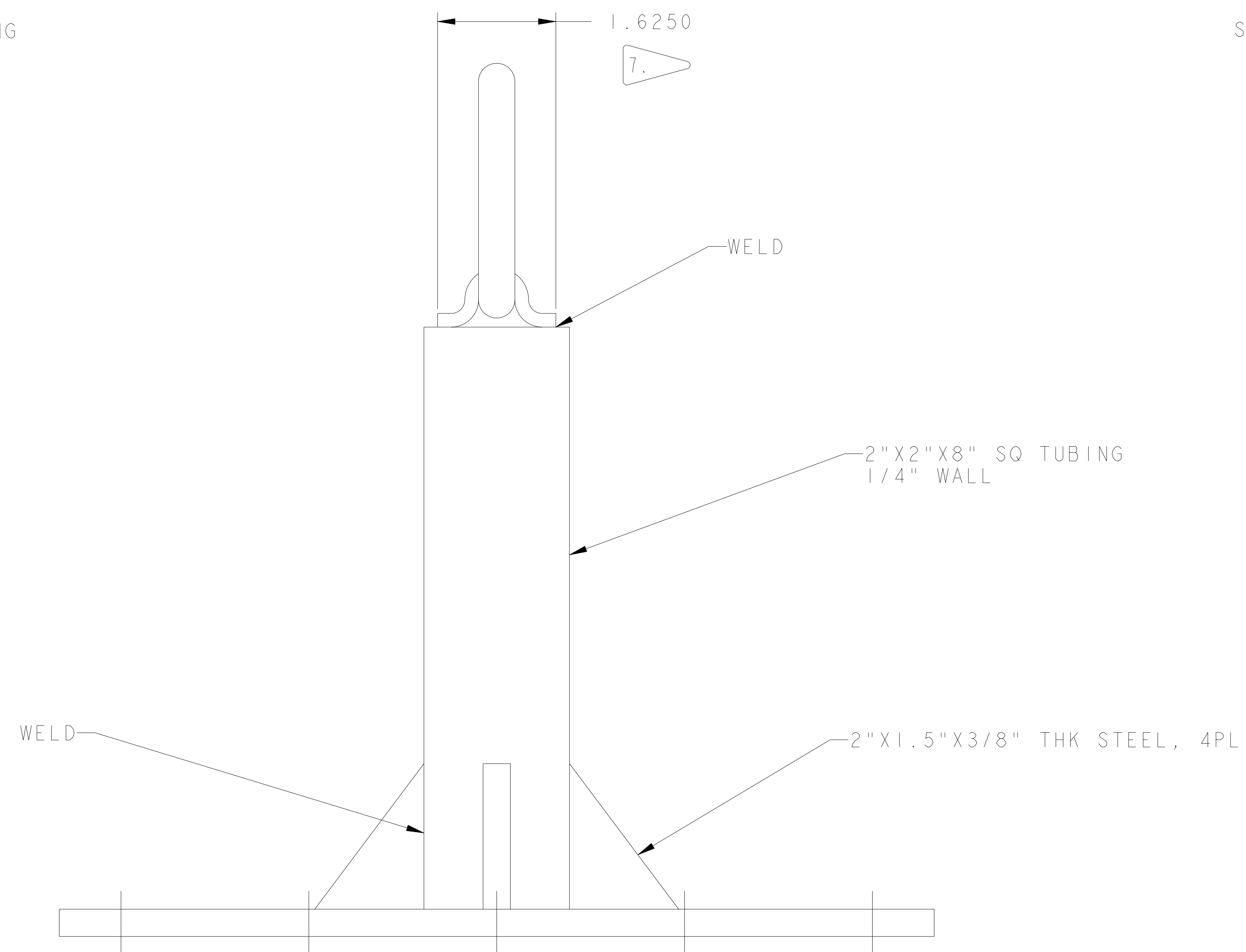
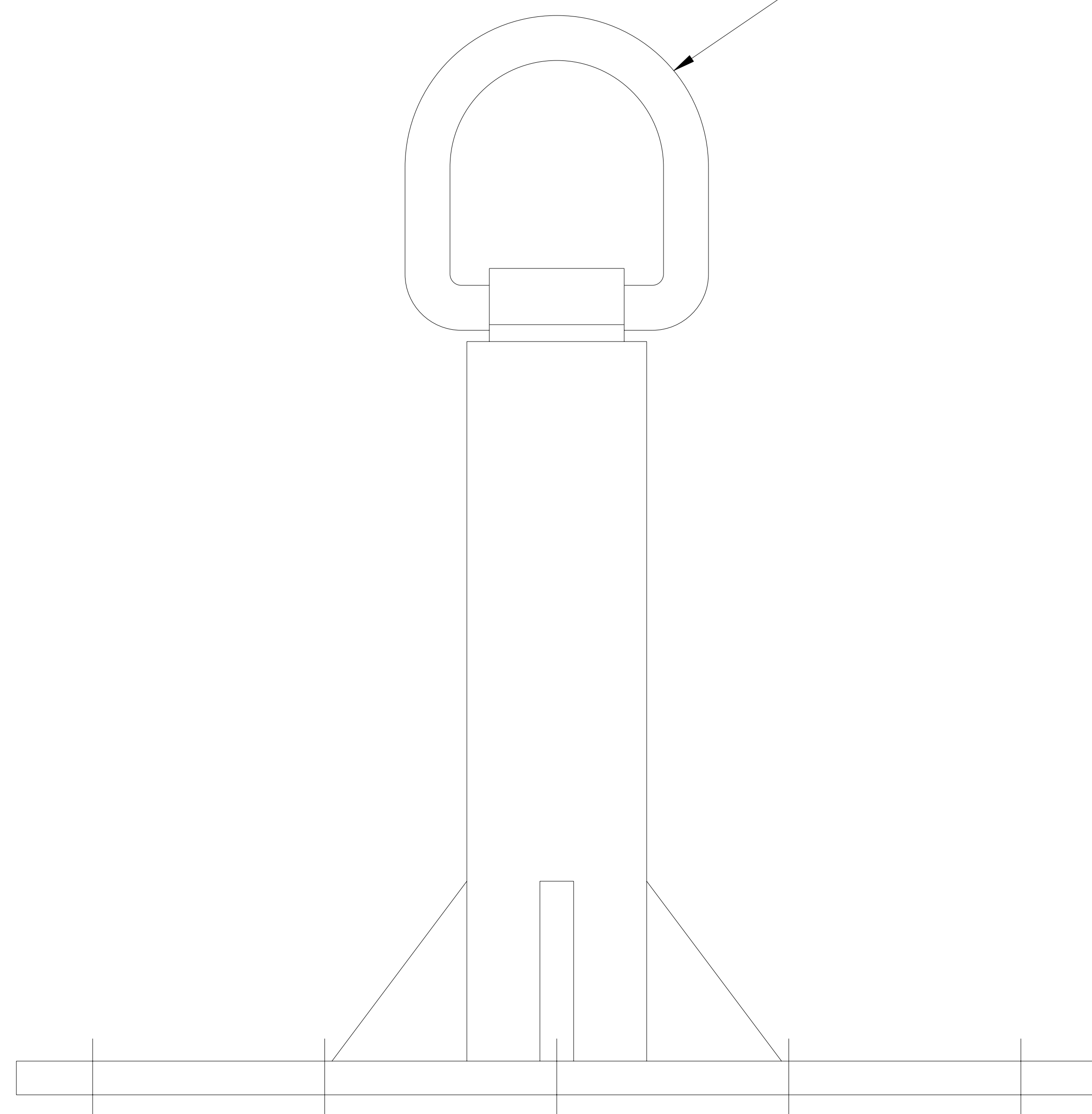
1. MATERIAL: 1018 STEEL
2. ARC WELD 7018 ROD ELECTRODE
3. WELDING PER ANSI/AWS D1.1-94  
INSPECTION #6  
VISUAL 8:15  
MAGNETIC PARTICLE 8:15.5
4. 2" X 1/4" WALL X 8" LONG SQUARE TUBING
5. STEEL FLAT BAR COLD ROLLED  
ASTMA108, C1018  
3/8" X 1-1/2"  
3/8" X 10"
6. QUALITY TRAILER PRODUCTS  
D-RING B38  
FORGED LASHING RING  
C-1045 STEEL FORGED 1/2" DIA RING
7. MODIFY HOLDING BRACKET TO WIDTH SHOWN
8. FOR QUESTIONS, CONTACT HERMAN MOLINA, SANDIA NATIONAL LABORATORIES, 505-284-8772.

PART NUMBER	REVISIONS			
	ISS	SHEET ZONE	DESCRIPTION	DATE
-	A		ORIGINAL ISSUE	11-19-04



SCALE 1/2

FORGED STEEL 1/2" DIA RING



CURRENT ISSUE APPROVALS		DATE
DRAWN:	QUESTION CONSTRUCTION	11-19-04
CHECKED:	H. MOLINA	
DESIGNED:	H. MOLINA	
APPROVED:	TINA CORDOVA	

DRAWING: SUPPORT_STAND	TITLE	
MODEL: ASM0001	SUPPORT STAND	
TYPE: ASSEM	PART CLASSIFICATION	
<b>SANDIA NATIONAL LABORATORIES (NM)</b>	SIZE	DRAWING NUMBER
ENGLISH	E	<b>Q83766</b>
THIRD ANGLE PROJECTION	DRAWING CLASSIFICATION	ISSUE
	<b>UNCLASSIFIED</b>	<b>A</b>
ORIGIN	PRO/E-WILDFIRE	STATUS <b>SA</b>
		DATE <b>11-19-04</b>